



OSIL
Environmental Instruments
and Systems

OSIL DATA BUOYS

OSIL'S RANGE OF DATA BUOYS PROVIDE THE IDEAL MONITORING PLATFORM AT AN AFFORDABLE PRICE

OSIL's new range of Data Buoys are designed to cater for a wide array of instrumentation and are completely adaptable to any applications' needs. Each buoy will support instrumentation such as multiparameter sondes, current meters and meteorological instruments and are easy to handle, as well as transport.

The OSIL Buoys are manufactured using rotationally moulded polyethylene hulls around a galvanised steel or welded polyethylene central structure. The central structure has a large hole through the centre which allows the passage of instrumentation and cables from the tower down to the water. By positioning instrumentation in the centre of the buoy they are well protected from damage during transportation and deployment.

The buoys are available in four different sizes ranging from a diameter of 1.2 m with a buoyancy of 200 kg up to 3 m in diameter with a buoyancy of 9000 kg. The buoyancy caters for the weight of equipment such as solar panels and battery packs as well as monitoring instrumentation, proving how adaptable they are for any application.

Features:

- Robust construction
- Modular design making transportation easy and replacement of equipment simple
- Through hull compartment for safe positioning of equipment
- Interchangeable components
- Highly stable in operation
- Solar power systems available as self-contained modules or separate larger panels for higher power load
- Range of towers available to suit the application
- Mooring systems available for inshore waters and open sea locations



FOR FURTHER INFORMATION PLEASE CONTACT:

OSIL, Culkin House, C7/8 Endeavour Business Park, Penner Road, Havant, Hampshire PO9 1QN
T: +44 (0) 2392 488240 F: +44 (0) 2392 488241 E: osil@osil.co.uk W: www.osil.co.uk

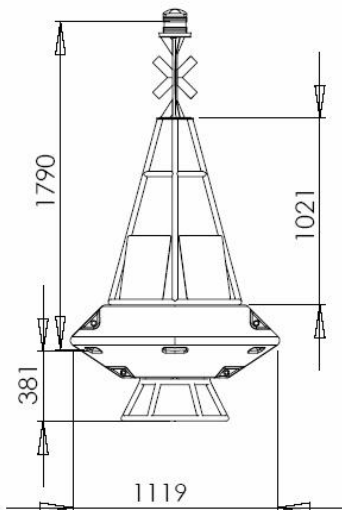


OSIL
Environmental Instruments
and Systems

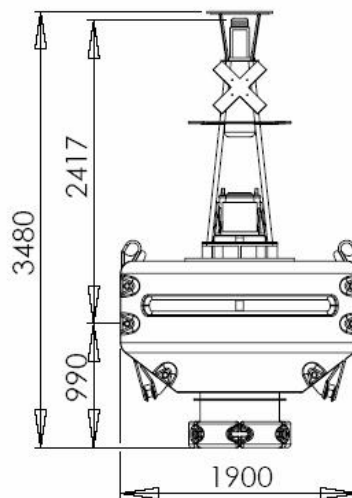
OSIL DATA BUOYS

	Shearwater	Fulmar	Skua	Albatross
Diameter (m)	1.2	1.9	2.6	3
Buoyancy (kg)	200	2000	7000	9000
Weight (kg)	100	540	1500	1850
Focal Plane (m)	1.8	2.4	4	4.3
Ballast Weight (kg)	30	240	600	800

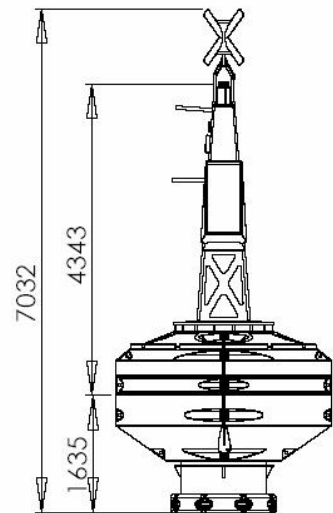
OSIL's Data Buoys are the most cost-effective solution to your monitoring needs thanks to their flexibility and ease of transport. OSIL specialise in providing cutting edge solutions for marine, freshwater and environmental problems and their new buoy range is a further example of how they cater to their customers needs and ensure that they can provide each application with the most appropriate instrumentation at the highest standard possible.



Shearwater



Fulmar



Albatross

FOR FURTHER INFORMATION PLEASE CONTACT:

OSIL, Culkin House, C7/8 Endeavour Business Park, Penner Road, Havant, Hampshire PO9 1QN
T: +44 (0) 2392 488240 F: +44 (0) 2392 488241 E: osil@osil.co.uk W: www.osil.co.uk